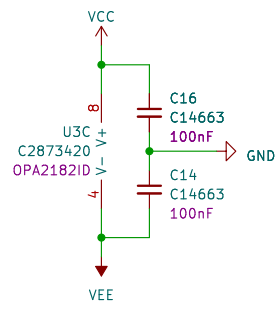
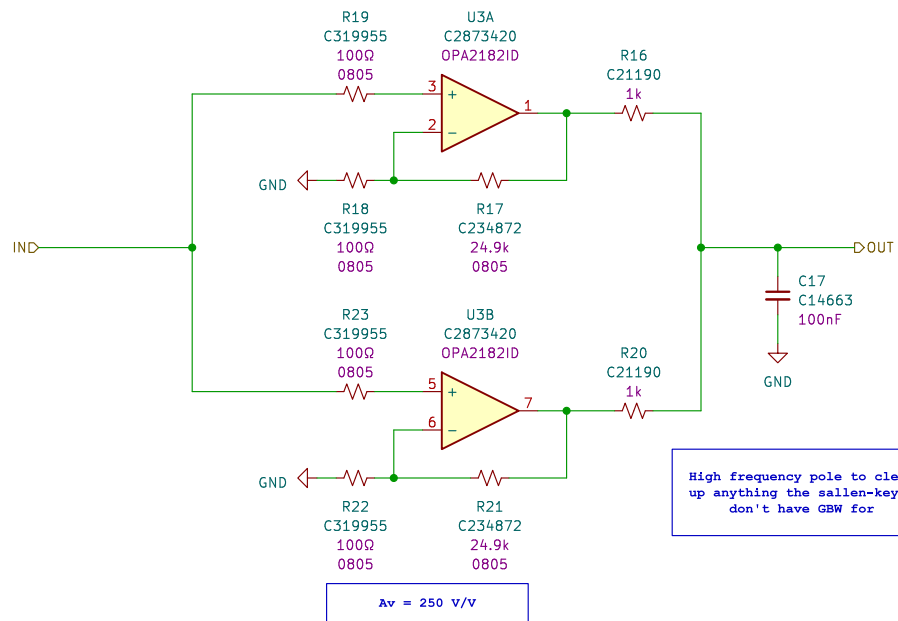
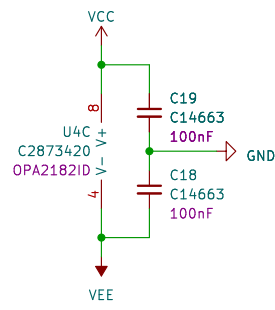
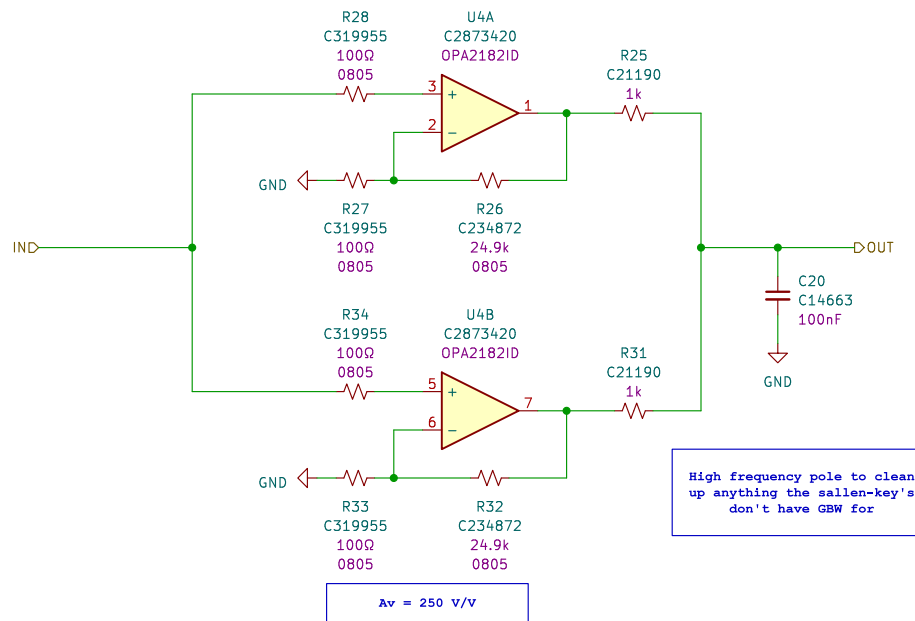


<b>Title: Low Noise Amplifier: 0.1 - 10Hz</b>	
Tyler Richard - eedesignpro.com	
Sheet: /	
File: NOISE_AMPLIFIER_100mHz_TO_10Hz.kicad_sch	
Size: USLetter	Date: 2024-04-29
KiCad E.D.A. 8.0.1	Rev: A-Reworked
	Id: 1/3



<b>Title: Low Noise Amplifier: 0.1 – 10Hz, First Stage</b>		
Tyler Richard – eedesignpro.com		
Sheet: /AMPS 1-2/		
File: STAGE1_AMPS.kicad_sch		
Size: USLetter	Date: 2024-04-29	Rev: A-Reworked
KiCad E.D.A. 8.0.1		Id: 2/3



<b>Title: Low Noise Amplifier: 0.1 – 10Hz, First Stage</b>		
Tyler Richard – eedesignpro.com		
Sheet: /AMPS 3-4/		
File: STAGE1_AMPS.kicad_sch		
Size: USLetter	Date: 2024-04-29	Rev: A-Reworked
KiCad E.D.A. 8.0.1		Id: 3/3