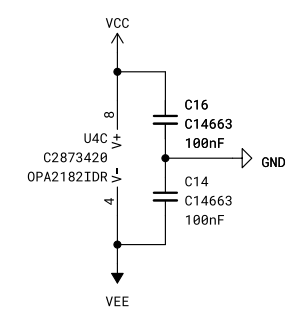
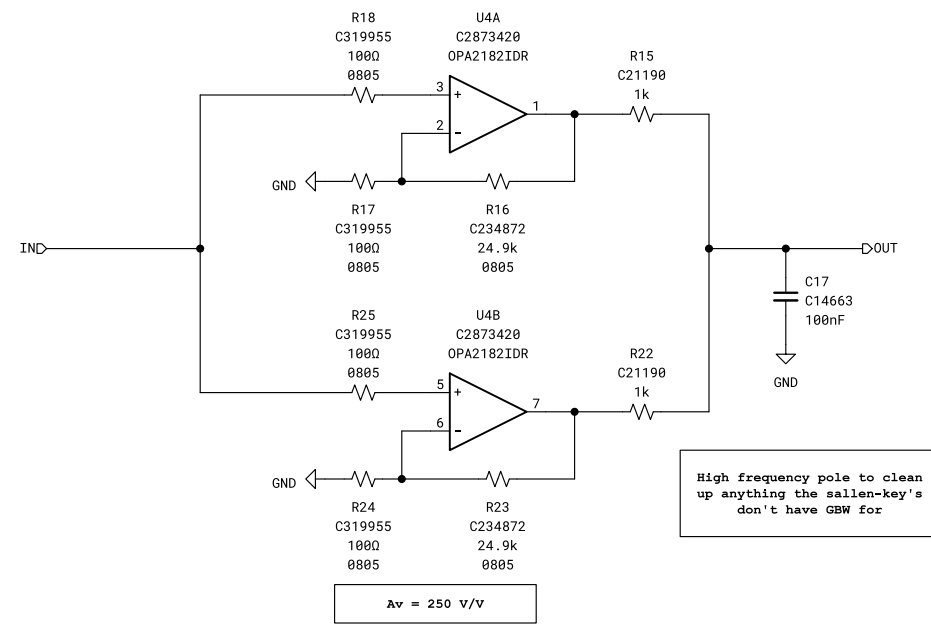
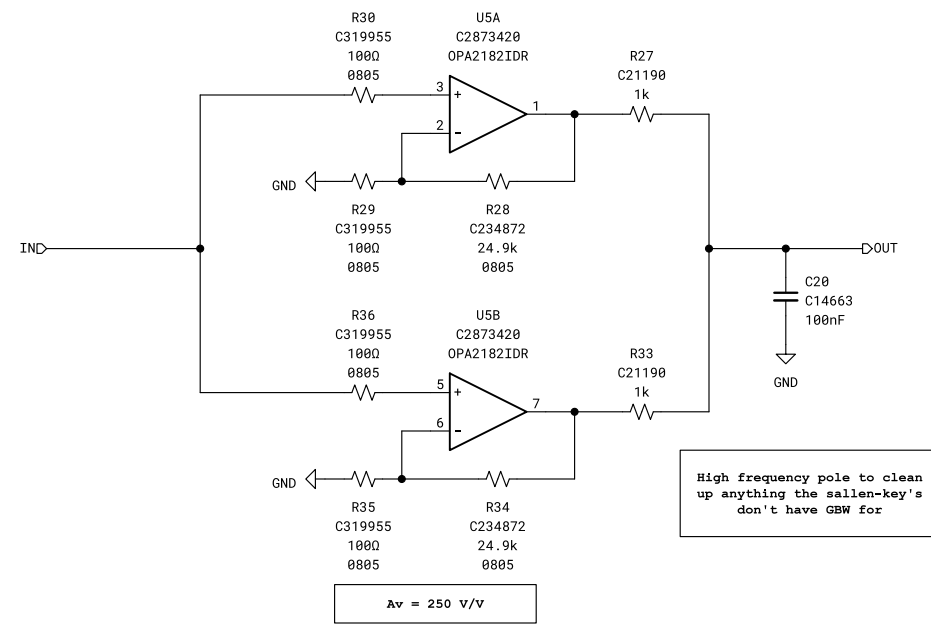


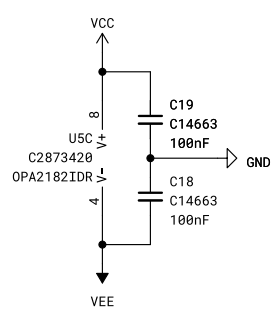
| | |
|---|------------------|
| Title: Low Noise Amplifier: 0.1 - 10Hz | |
| Tyler Richard | |
| Sheet: / | |
| File: LF_LNA.kicad_sch | |
| Size: USLedger | Date: 2024-04-29 |
| KiCad E.D.A. 8.0.3 | Rev: B |
| Id: 1/3 | |



| | |
|--|-------------------|
| Title: Low Noise Amplifier: 0.1 - 10Hz, First Stage | |
| Tyler Richard | |
| Sheet: /AMPS 1-2/ | |
| File: STAGE1_AMPS.kicad_sch | |
| Size: USLedger | Date: 2024-04-29 |
| KiCad E.D.A. 8.0.3 | Rev: B Id: 2/3 |



High frequency pole to clean up anything the sallen-key's don't have GBW for



| | |
|--|-------------------|
| Title: Low Noise Amplifier: 0.1 - 10Hz, First Stage | |
| Tyler Richard | |
| Sheet: /AMPS 3-4/ | |
| File: STAGE1_AMPS.kicad_sch | |
| Size: USLedger | Date: 2024-04-29 |
| KiCad E.D.A. 8.0.3 | Rev: B Id: 3/3 |